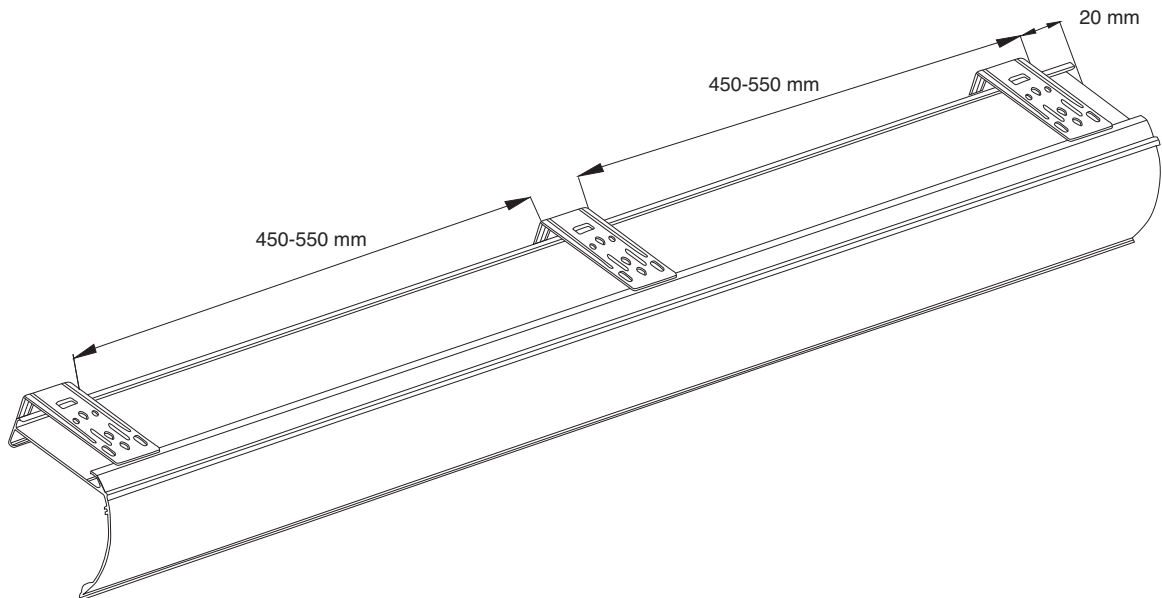


Miracle Lift Installation Instruction

1. Mount the brackets to the wall or window frame, with the outside brackets no further than 2 inches (50 mm) from the ends of the headrail. On wide shades, space the additional bracket(s) at equal intervals.



2. Insert 3 mm allen key (A) into the slot (B) on the side of the shade. Turn clockwise to give more tension or counter clockwise to loosen tension on the shade. Standard Dual Shades and Roller Shades.

2. Insert a 2.75 mm allen key (A) into the slot (B) on the side of the shade. Turn clockwise to give more tension or counter clockwise to loosen tension on the shade. Opera Dual Shades and Opera Roller Shades.

